

**Automatic folding door**  
**Automatic folding door** for use in escape and rescue routes

**record 16 FTA**  
**record 16 FBO**



**Real space savers!**



**record**

your global partner for entrance solutions



## record 16 FTA and 16 FBO automatic folding doors

### Elegant-silent-reliable

Where space is at a premium, record's folding doors allow quick and easy access. Ideally suited to buildings with narrow entrances, they are the perfect solution for restaurants, hotels, business premises, hospitals and homes for the elderly, as well as offices and private buildings. The folding doors use record's proven system 16 drive and control units, and have all the features and functions of **record's 16 STA** standard operator. The folding door can be face fixed or mounted in line.

## record 16 FBO folding door

### For safe and reliable opening in emergencies

The **16 FBO** folding door was specially developed for use in escape and rescue routes. In normal use, the door panels fold inwards. In emergencies, access to escape and rescue routes is provided by light pressure on the door panel. This frees the track from its mountings, allowing the door panel and track to open outwards.



### Technical Data

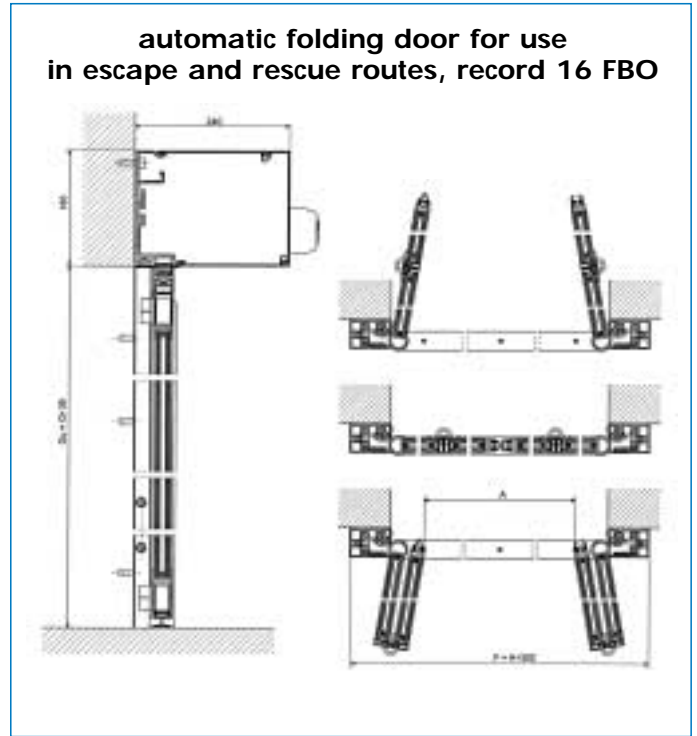
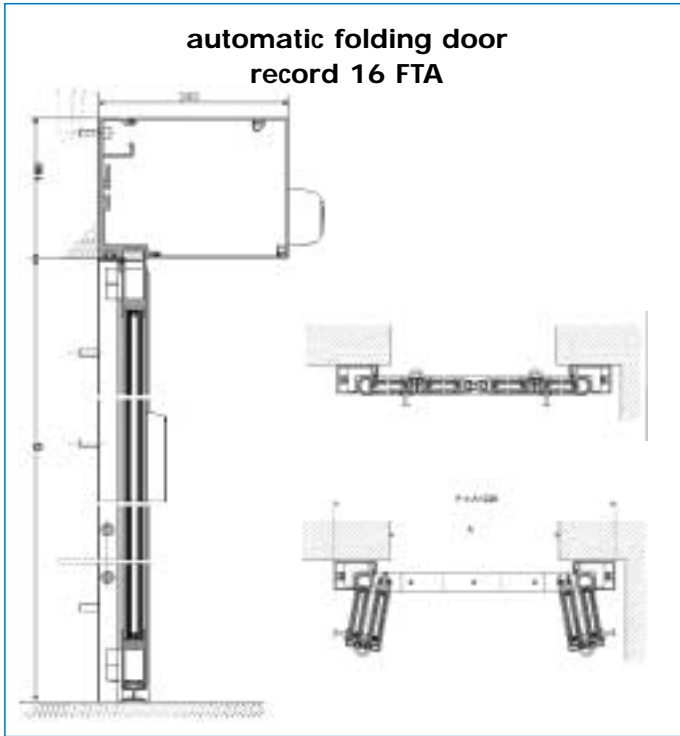
#### 16 FTA/16 FBO

<b>Clear opening width A</b>	800 - 2'000 mm
<b>Clear height of passage G</b>	2'500 mm
Recommended maximum height	
<b>Max. weight of door leaves</b>	4 x 37,5 kg, max. 150 kg
weight in total	
<b>Operator dimensions, incl. casing</b>	
height	180 mm
depth	240 mm
<b>Door movements (programmable)</b>	
Opening	max. 0.7m/1.0 s
Closing	max. 0.5m/1.0 s
<b>Electrical connection data</b>	
mains voltage	230 V, 50 / 60 Hz
rated power	0,6 A
rated capacity	100 W
rated capacity standby mode	14 W
fuse protection	min. 2.5 A slow

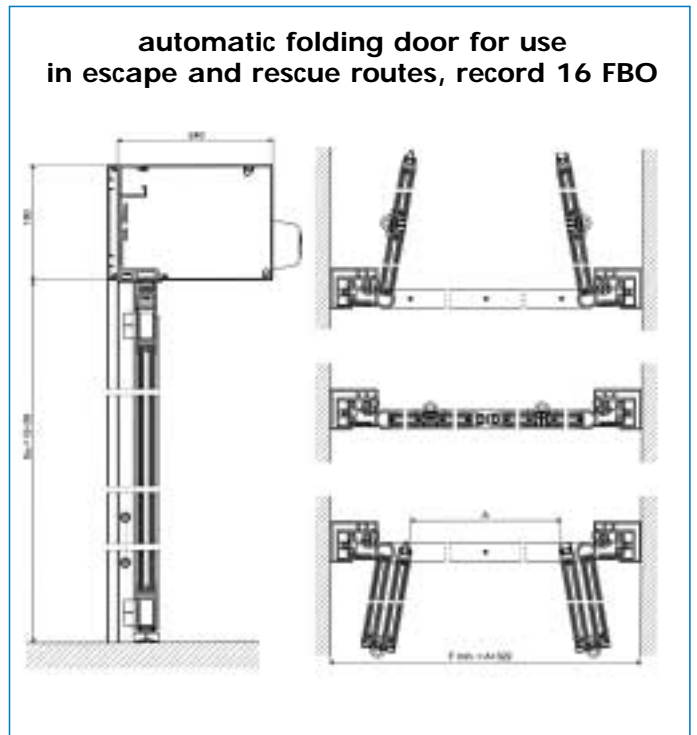
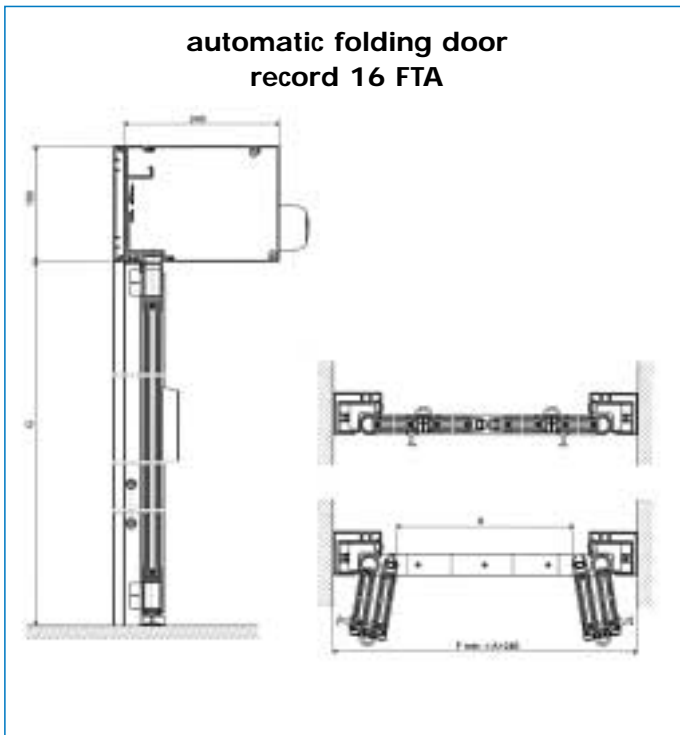
Always safe



**Wall mounting**



**Passage mounting**



**A** : clear opening width    **G** : height of passage    **F** : length of operator header

**always reliable**





## Discover the ideal solution with record, your partner in door automation

### Drive technology for pedestrian entrances and industrial applications

- Automatic sliding doors, curved, straight, angular, reinforced, slim-line, with 1 or 2 leaves
- Swinging
- Folding
- Telescopic
- Revolving doors
- High speed gates
- Range of sensors

### Security

#### Protection of people

- Fire-proof doors
- Smoke-resistant doors
- Air tight doors
- Doors for emergency exits

#### Protection of buildings

- Burglar-resistant safety doors
- Safety doors and interlocks for controlled passage
- "one-way" corridors
- Security doors

### Centralised monitoring

- Door management system for building access control
- Alarm system and diagnostics
- Interfaces

### Maintenance

- Tailored advise
- Custom-built advise
- Engineering professionalism
- Maintenance of all automatic doors
- Troubleshooting hotline
- Renovation
- Remote control maintenance

### Special solutions

- Door systems for specific applications

### → record UK Limited

Head Office: Garrion Business Park, Smith Avenue – Wishaw, ML2 0RY – Tel.: 01698 376411 – Fax: 01698 376422

Central Office: 450a Bradford Road – Batley, WF17 5LW – Tel.: 01924 471801 – Fax: 01924 471828

Southern Office: 17 Invincible Road – Farnborough, GU14 7QU – Tel.: 01252 701040 – Fax: 01252 516307

www.recorduk.co.uk – info@recorduk.co.uk



### → Headquarters

agta record ltd – Allmendstrasse 24 – CH-8320 Fehraltorf

Tel.: +41 44 954 91 91 – Fax: +41 44 954 92 00 – e-mail: info@agta-record.com



www.agta-record.com

