

High speed folding Door

# Firstsystem



Complies with the standard  
**EN 13241-1**

Agreement N° P05-045

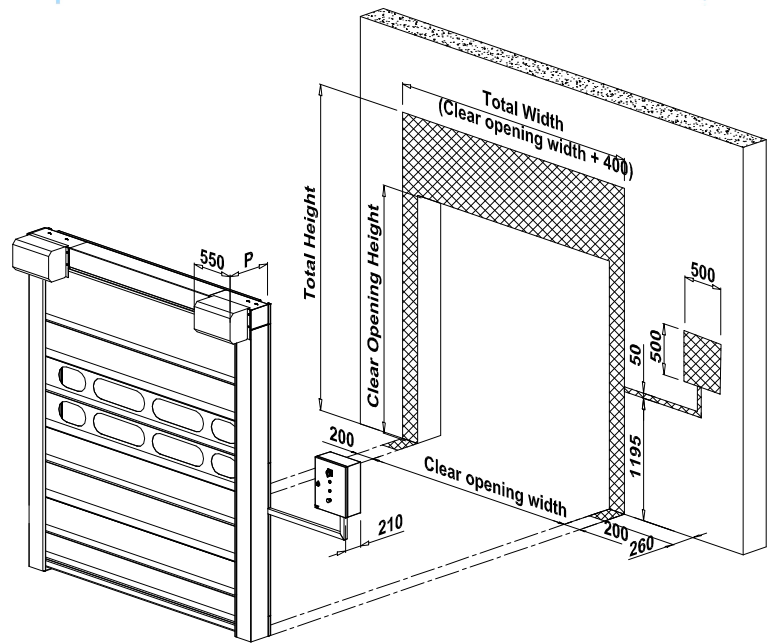


## The folding door : for outside traffic

Instant profitability for this simple and sturdy door that will accelerate your performance. The Record *Firstsystem* door seals your openings and provides you great thermal and phonic insulation at the same time. Fast and secure, the *Firstsystem* will never let you down.



# Instant profitability for this simple and sturdy door



## The Freestanding frame...

Will assure you reliability

The **First.system** is composed of two posts and a lintel. In 2,5 mm steel, they receive a corrosion treatment and are powder coated in the RAL color of your choice.

## Door Panel :

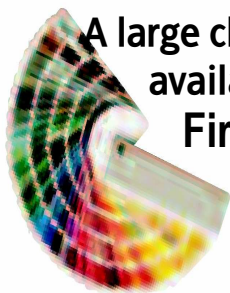
Assembled by ultrasonic welding in a **prestressed polyester** fabric 670g/m<sup>2</sup> laminated on both side with PVC. With its galvanized steel strengthening pieces the **First.system** reaches the **class 4 wind load** of the EN12424.

## Sealing :

Assured by the posts and the lintel. 2 rows of brushes give the door a great finish. In the lower part, our special safety edge adapts to uneven floor.

## Security meets the prevailing standards :

- Safety edge
- Presence detecting cell
- Optimized wind load resistance
- Flashing light signal during operation
- Complies with the safety requirements defined in the electromagnetic compatibility directive



A large choice of colors is available to integrate **First.system** to your environment

## Technical facts

### Engine

2 speed triphase 220/380V  
0,37/0,55 Kw up to 1,1/2,2 Kw  
Redundant engine and brake

### Operating speeds

Opening 1 m.s<sup>-1</sup> - Shutting 0,5 m.s<sup>-1</sup>

### Voluntary opening actuators

Pushbutton, pull switch, radio remote control...

### Automatic opening actuators

Induction loop, Radar motion detectors...

### Control panel

Microprocessor control  
(w) 500 x (h) 500 x (d) 200  
IP 55 protection class

## Options

### Door panel

Visibility portholes row  
Twin layer door panel

### Engine

Front side engine for in-corridor installation

### Backup opening

Containment pin  
Automatic counter balance lifting system  
Ratchet wrench

### Control panel

IP66 protection class

[www.agta-record.com](http://www.agta-record.com)



• Production

► record industry SA – 38 France