

High speed rolling Door

# Surfssystem



Complies with the standard  
**EN 13241-1**

Agreement N° P05-046



## The new wave rolling door...

Complementary to the *Look.system*, the *Surf.system* has been designed to adapt easily to any configuration :

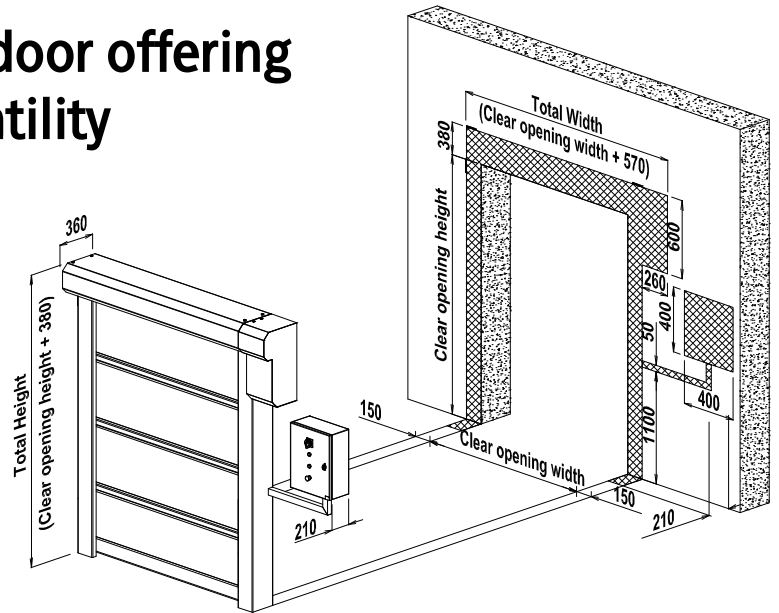
- **Freestanding frame**, to install *Surf.system* anywhere you need it.
- **Dimensions up to 4 x 4 m**, to meet all your needs.
- **A solid steel structure**, fully covered.

With *Surf.system* record takes the high speed rolling door to a new level





# A reliable door offering great versatility



## The Frame :

Freestanding in 2.5mm steel.

**Full-covered**, the frame of the **Surf<sub>system</sub>** receives a corrosion treatment and is powder coated in the RAL color of your choice.

## Door Panel :

Assembled by ultrasonic welding in a **prestressed polyester fabric 670g/m<sup>2</sup>** laminated on both side with PVC.

The resistance to overpressure and vacuum is assured by two composite strengthening pieces in scabbards.

## Sealing :

Assured by the posts and the lintel. 2 rows of brushes give the door a great finish. In the lower part, our special safety edge adapts to uneven floor.

## Security meets the prevailing standards :

- Safety edge
- Presence detecting cell
- Optimized wind load resistance
- Flashing light signal during operation
- Complies with the safety requirements defined in the electromagnetic compatibility directive

## Technical facts

### Engine

2 speed triphase 220/380V  
0,18/0,25 Kw  
Left or right side

### Operating speeds

Opening 1 m.s<sup>-1</sup> - Shutting 0,5 m.s<sup>-1</sup>

### Voluntary opening actuators

Pushbutton, pull switch, radio remote control...

### Automatic opening actuators

Induction loop, Radar motion detectors...

### Control panel

Microprocessor control  
(w) 400 x (h) 500 x (d) 200  
IP 55 protection class

## Options

### Visibility

Full width vision panel

### Engine

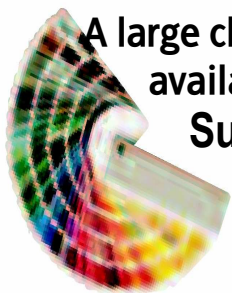
Front side engine for in-corridor installation

### Backup opening

Containment pin  
Counter balance lifting system  
Shoulder-high crank handle

### Control panel

IP66 protection class



A large choice of colors is available to integrate **Surf<sub>system</sub>** to your environment

[www.agta-record.com](http://www.agta-record.com)



• Production

► record industry SA – 38 France