



Automatic break-out system

record 16 TOS



The adaptable door !



record

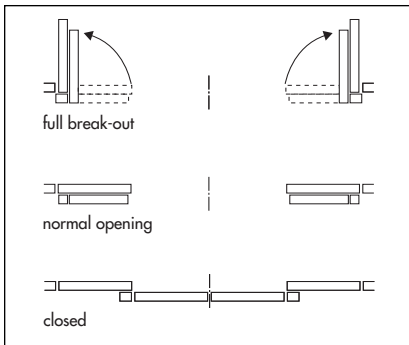
your global partner for entrance solutions



Automatic break-out system record 16 TOS

- for use on escape and rescue routes
- for adapting pedestrian entrances into wide load access and egress

With this system it is possible to swivel the sliding door leaves and side screens through 90 degrees from any position of opening.



There is a special floor guide designed for silent operation mounted in the side screen area which can be recessed into the floor, this leaves an unobstructed clear opening area for pedestrian traffic. If special locking is required (locking rail, floor lock) a continuous floor rail can be mounted across the full passage width.

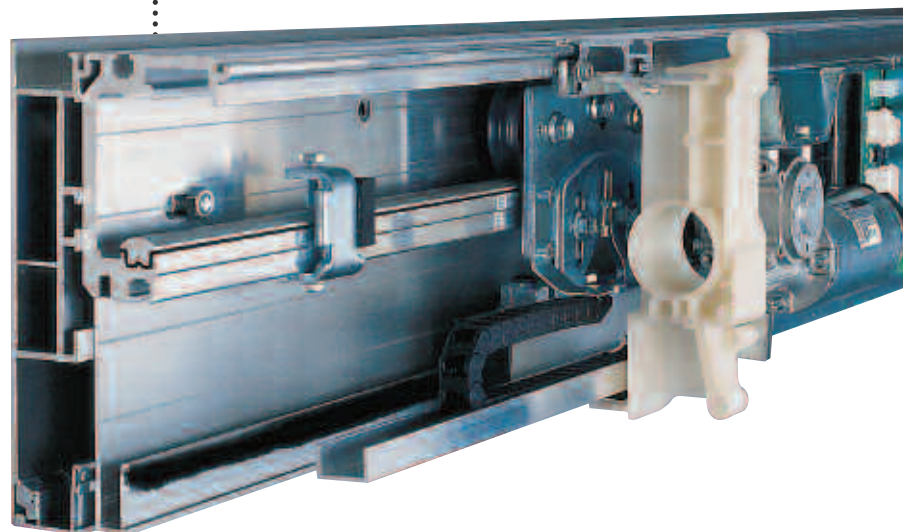
We recommend the break-out system **record 16 TOS** for doors on escape and rescue routes or where bulky objects or vehicles need wider entrances e.g. shopping centres, hospitals, hotels/restaurants, car showrooms, airports and railway stations.

When **record 16 TOS** is used in escape and rescue routes the surveillance device (FEM) monitors both sliding leaves and side screens, in case of misalignment an alarm signal is displayed on the electronic control or transmitted to a central control station. This guarantees a high degree of security.

The break-out system **record 16 TOS** is part of the modular record system 16. It consists of the basic operator record 16 STA and the additional **record 16 TOS** module.



always safe





Technical data

Clear opening width A

biparting sliding door	800 - 2500 mm
single sliding door	800 - 1200 mm

Clear height of passage G

recommended maximum height	2500 mm
----------------------------	---------

Maximum weight of door leaves

for record 16 TOS

biparting sliding door	2 x 120 kg
single sliding door	1 x 200 kg

for record 16 TOS DUO (heavy door leaves)

biparting sliding door	2 x 200 kg
single sliding door	1 x 200 kg

Operator dimensions, incl. casing

height	200 mm
depth	160 mm

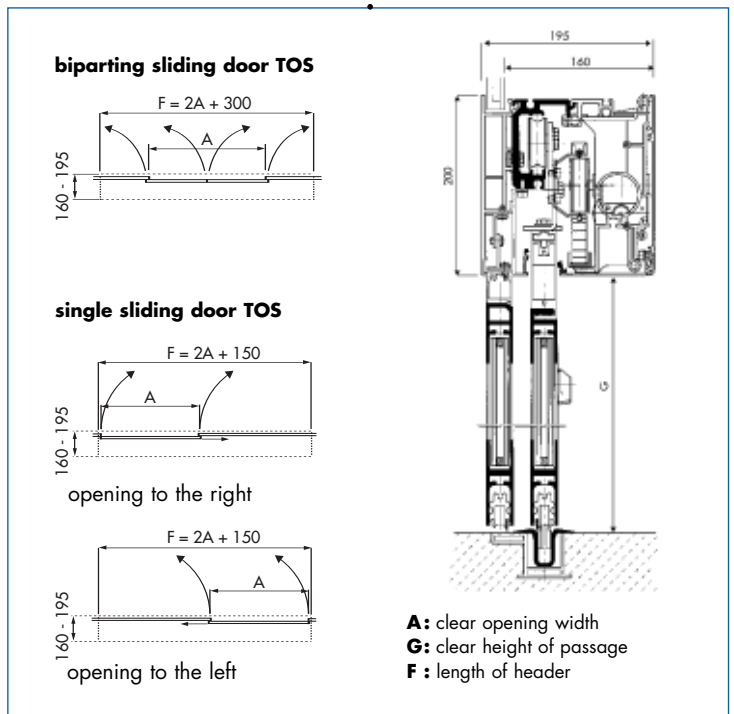
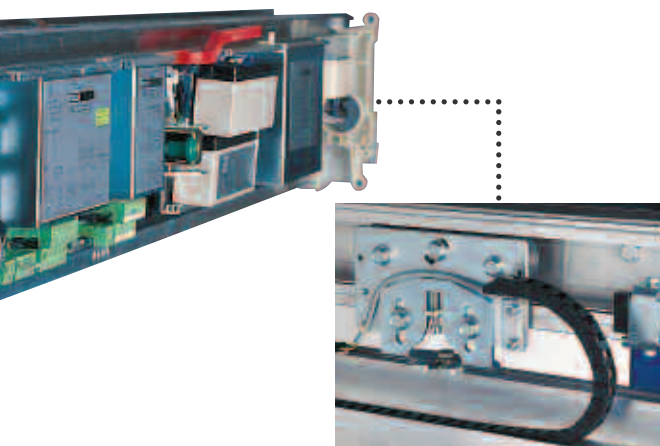
Opening speed, programmable (1)

biparting sliding door	0.7 m in 1.0 sec.
single sliding door	0.7 m in 1.5 sec.

Electrical connection data

mains voltage	230 V, 50 / 60 Hz
rated power	0,6 A
rated capacity	100 W
rated capacity standby mode	14 W
fuse protection	min. 2,5 A slow

(1) if door leaf weight equals 75 % of permissible maximum weight



always reliable



Discover the ideal solution with record, your partner in door automation

Drive technology for pedestrian entrances and industrial applications

- Automatic sliding doors, curved, straight, angular, reinforced, slim-line, with 1 or 2 leaves
- Swinging
- Folding
- Telescopic
- Revolving doors
- High speed gates
- Range of sensors

Security

Protection of people

- Fire-proof doors
- Smoke-resistant doors
- Air tight doors
- Doors for emergency exits

Protection of buildings

- Burglar-resistant safety doors
- Safety doors and interlocks for controlled passage
- "one-way" corridors
- Security doors

Centralised monitoring

- Door management system for building access control
- Alarm system and diagnostics
- Interfaces

Maintenance

- Tailored advise
- Custom-built advise
- Engineering professionalism
- Maintenance of all automatic doors
- Troubleshooting hotline
- Renovation
- Remote control maintenance

Special solutions

- Door systems for specific applications

→ record UK Limited

Head Office: Garrion Business Park, Smith Avenue – Wishaw, ML2 0RY – Tel.: 01698 376411 – Fax: 01698 376422

Central Office: 450a Bradford Road – Batley, WF17 5LW – Tel.: 01924 471801 – Fax: 01924 471828

Southern Office: 17 Invincible Road – Farnborough, GU14 7QU – Tel.: 01252 701040 – Fax: 01252 516307

www.recorduk.co.uk – info@recorduk.co.uk



→ Headquarters

agta record ltd – Allmendstrasse 24 – CH-8320 Fehraltorf

Tel.: +41 44 954 91 91 – Fax: +41 44 954 92 00 – e-mail: info@agta-record.com



www.agta-record.com

